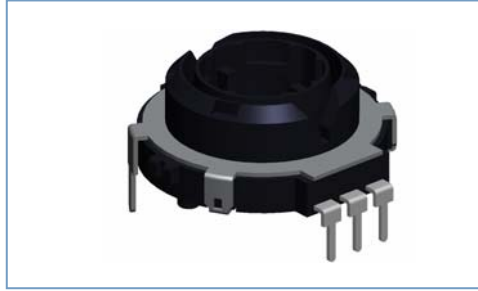
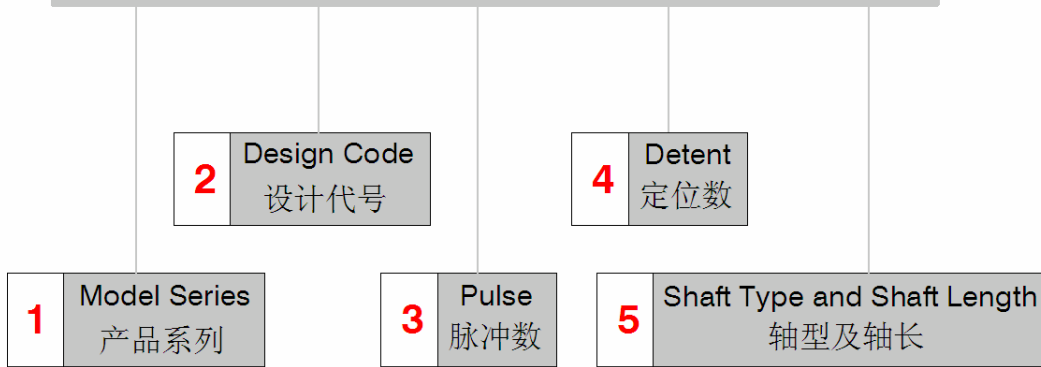


# ED22 Series Rotary Encoder



ED22 — 12 — 10P — 20LC — R9.5



Ordering Information 订货说明		Code 代码			
1	Model Series 产品系列	ED22			
2	Design Code 设计代号	12	<b>See Note 1 (ED22 Series Dimensions)</b> <b>附件 1 (ED22 系列产品图)</b>		
3	Pulse 脉冲数	10P	10Pulse 10 脉冲		
		20P	15 Pulse 20 脉冲		
4	Detent 定位数	20	10Pulse With 20 Detent 10 脉冲带 20 定位	Code 代码	Detent torque 定位扭矩
			10Pulse With 20 Detent 20 脉冲带 20 定位	LC	50±20gf.cm
				HC	90±20gf.cm
5	Shaft Type and Shaft Length 轴型及轴长	<b>See Note 1 (ED22 Series Dimensions)</b> <b>附件 1 (ED22 系列产品图)</b>			

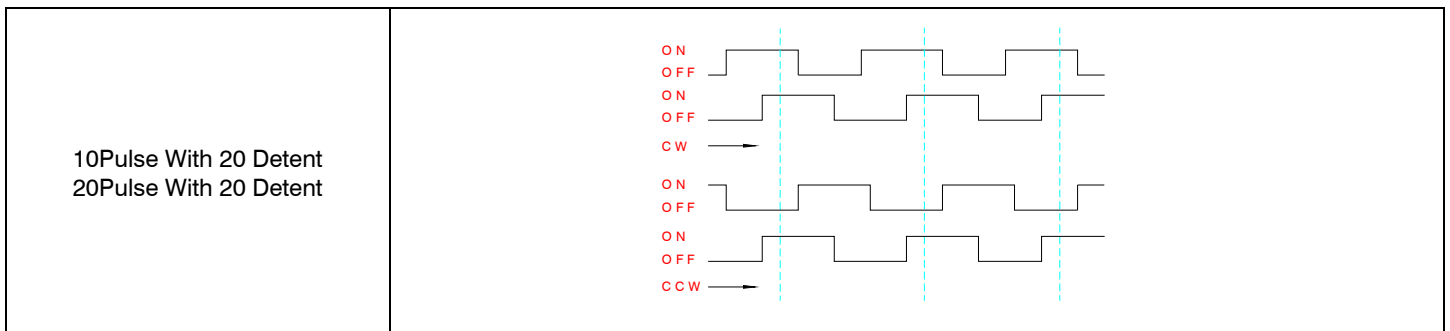
## MECHANICAL SPECIFICATION 机械性能

Operating Temperature 工作温度	-10°C ~ +60°C
Shaft Rotation Force 操作力矩	10gf.cm ~ 100gf.cm
Soldering Heat 焊接温度	260°C, 3~5sec
Push-pull Strength 轴推拉强度	1Kgf.cm
Total Rotation Angle 全回转角度	360°

## ELECTRICAL SPECIFICATION 电气性能

Power Rating 额定功率	DC5V 5mA(Each Bit)
Output Signals 输出信号	10pulses/20pulses, 360°
Locate Point 定位点	100detent points/20detent points, 360°
Phase-Difference $\Delta T$ 相位差	0.08T Min. (Measurement shall be made under the condition which the shaft is rotated in 360°/S)
Insulation resistance 绝缘电阻	More than 100M $\Omega$ (AT 50V DC)
Contact resistance 接触电阻	1 $\Omega$ Max
Withstand Voltage 耐电压	For 1 minute at 100V AC
Rotational life 回转寿命	30,000 cycles

## ENCODER OUTPUT SIGNAL WAVE TYPE 编码器输出信号波型



### Note 1 :ED22Series Dimensions

